



## Installation Instructions

**AA171408F-ABF12-BCD-220V**

H2O-to-Go!™ Water Cooler and Bottle Filler Combo | Satin Finish



### Downloads of resources

Warranty & Cleaning Guide - Product Datasheet - CAD Drawings

As improvements in the design and performance of Bubblers Australia products are continuous, specifications may be subject to change without notice. The illustrations and descriptions herein are applicable to production as of the date of this Installation Instructions Sheet.  
Revised 10/24 © 2024 by Bubblers Australia II/AA171408F-ABF12-BCD-220V.



## Components

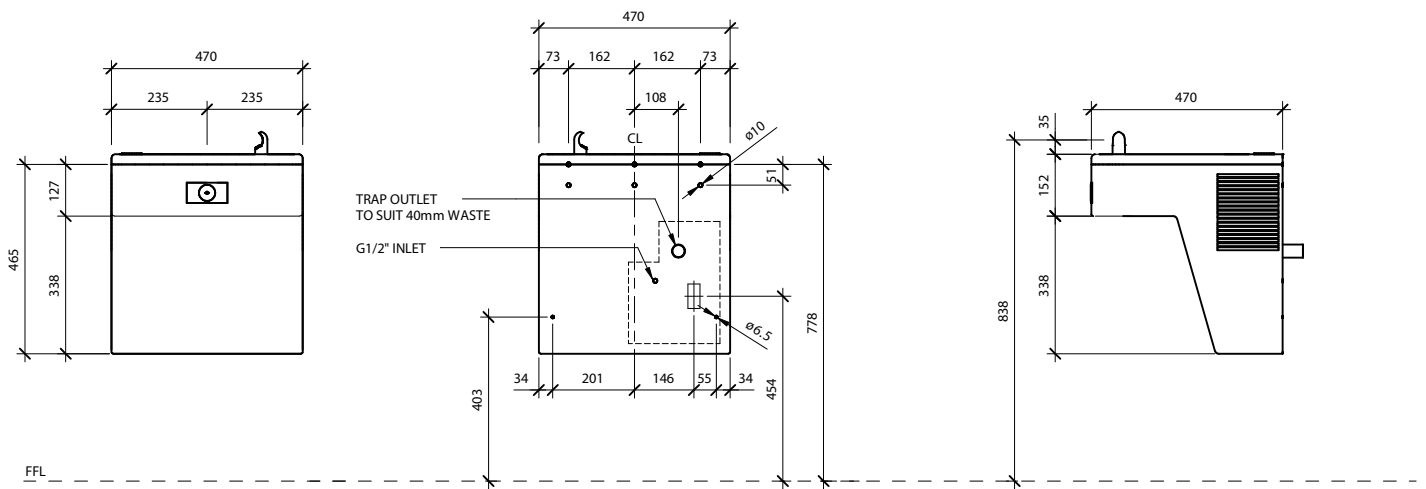
- **AA171408F-UG-220V** Flexi Bubbler Wall-Mounted Water Cooler | Satin Finish
- **ABF12-BCD-IPL** H2O-to-Go!™ Bottle Filler Add-On | Sensor & Counter Display
- 9V transformer
- Stop valve
- Electrical outlet
- Locking grommet
- Traps (by others)
- Fixings (by others)

## Hydraulic Requirements

Pressure:	200kPa - 500kPa
Inlet (Water Cooler):	1/2" BSP
Inlet (Bottle Filler):	1/4" OD Polyethylene (PE) Tube
Outlet (Water Cooler):	40mm BSP
Water Temp:	4°- 30°C

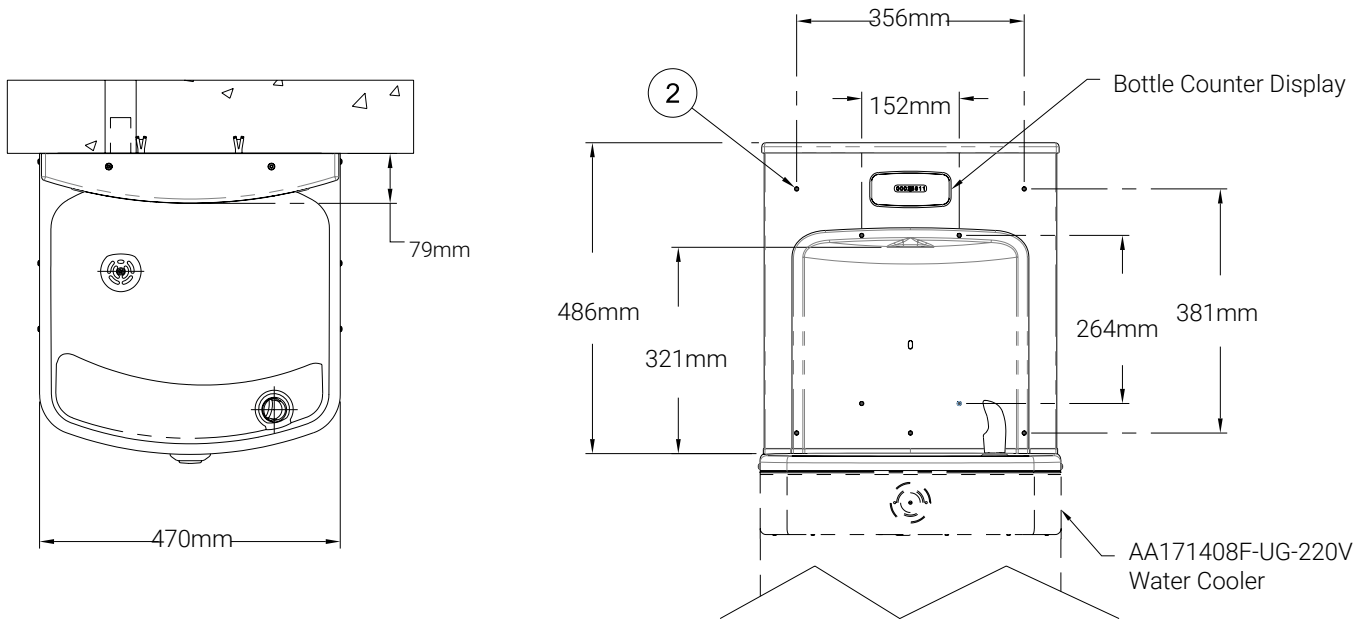
Provide 102mm minimum clear space on fixture sides to allow for proper ventilation through water cooler cabinet louvers. Due to cold waste water, we recommend the trap (supplied by installer) be insulated to prevent excessive condensation.

## Rough-in & Dimensions for AA171408F-UG-220V | Flexi Bubbler Wall-Mounted Water Cooler | Satin Finish

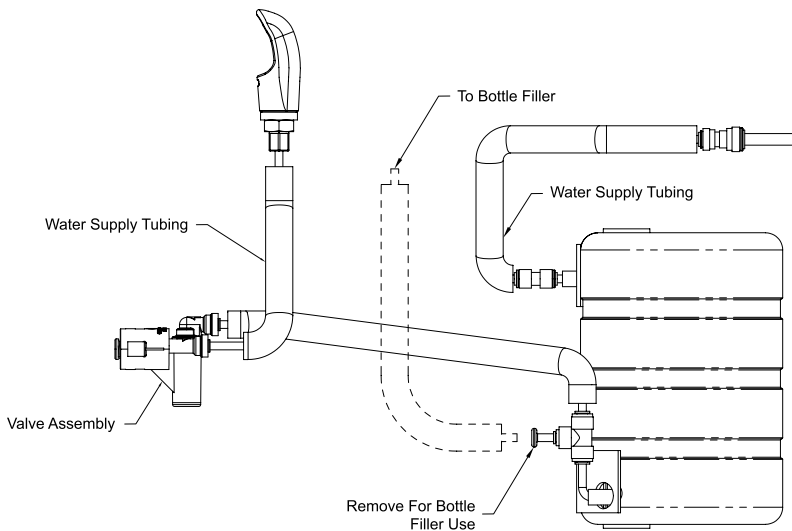




## Rough-in & Dimensions for ABF12-BCD-IPL | H2O-to-Go!™ Bottle Filler Add-On | Sensor & Counter Display



## Pipe Installation





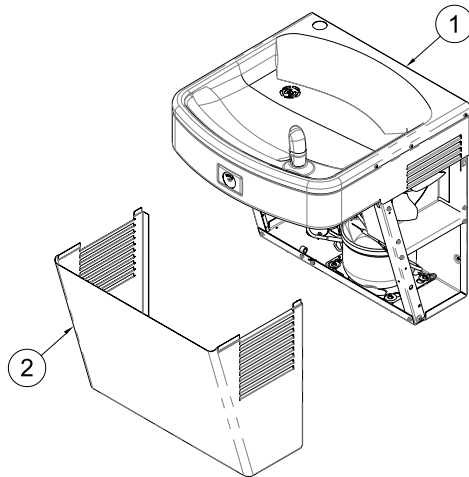
## Water Cooler Installation

1. Check rough-in drawings against supplied product.
2. Mount hanger bracket to wall. Hanger bracket MUST be securely anchored with fasteners (supplied by others) sufficient to support 3 times the weight of the water cooler.
3. Remove the bottom cover from the water cooler and set aside in a safe place. Place the screws in a safe place for re-use in later stages of installation.
4. Hang the water cooler on the hanger bracket, ensuring the bracket tabs engage AND seat in the slots in the back of the water cooler. Verify the Water Cooler is level, straight and plumb.
5. Anchor water cooler to wall at other mounting points in base. If necessary, shim lower rear mounting points to level unit.
6. Thoroughly flush the supply line and then connect water supply to water cooler.
7. Make up trap waste connection.
8. Flush the supply line to remove all foreign debris.
9. Connect water supply to water cooler with 1/2" BSP
10. Turn on building water supply and check all connections for leaks.
11. Air within the water supply will cause an irregular bubbler outlet stream until purged out by incoming water. Covering the bubbler with a clean cup (or similar object) is recommended when first activating water cooler. Depress push button until steady water stream is achieved.
12. Adjust bubbler to the site requirements;
  - 12a. If water flow requires adjustment, insert a slotted narrow blade screwdriver in the centre of the button actuator.  
Turning clockwise will increase flow and turning counterclockwise will decrease flow.
  - 12b. The water temperature can be adjusted using a slotted screwdriver in the cold water thermostat and turning clockwise to make colder and counterclockwise to make warmer.
  - 12c. Bubbler Stream – Bubbler can be rotated slightly to direct the stream backwards or forwards.
13. Plug water cooler into electrical outlet and make sure unit begins to function.
14. Proceed with Bottle Filler Installation on Page 5.



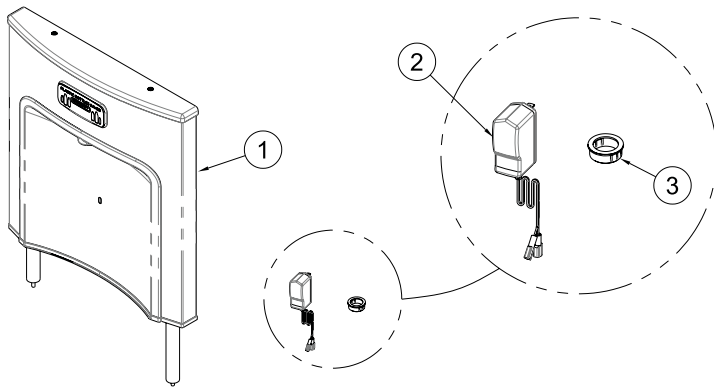
## Bottle Filler Installation

1. Shut-off water supply, then actuate water cooler valve to relieve pressure. Do not reinstall the access panel at this time.



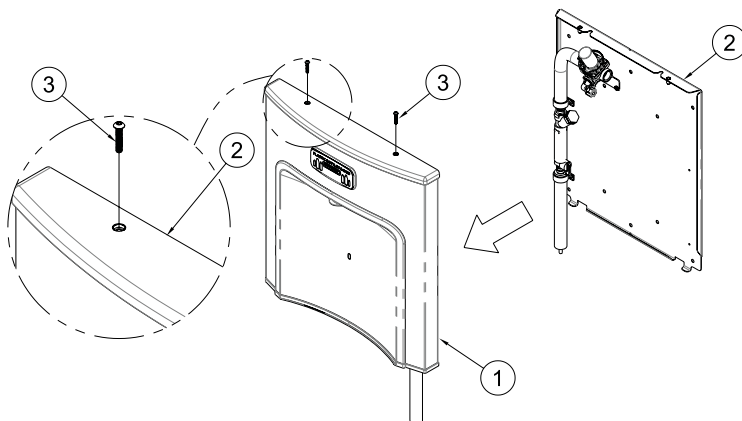
1. Water Cooler Assembly
2. Access Panel

2. Remove bottle filler assembly, power supply and grommet from packaging, careful to avoid damage to fixture and fixture sub assemblies. Check supplied product against rough-ins provided in the installation instruction. Set power supply aside in a secure location.



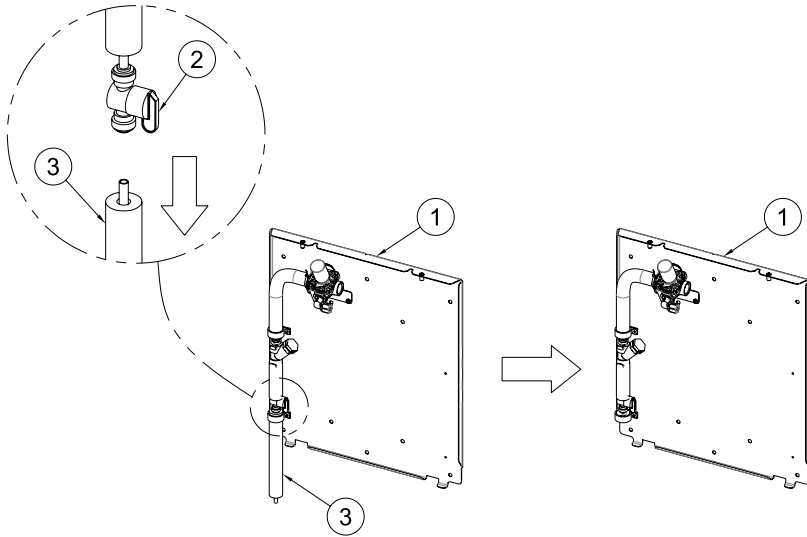
1. Bottle Filler Assembly
2. Power Supply
3. Locking Grommet

3. Unfasten screws that hold the bottle filler housing to the mounting panel. Place bottle filler panel and screws in a secure location.



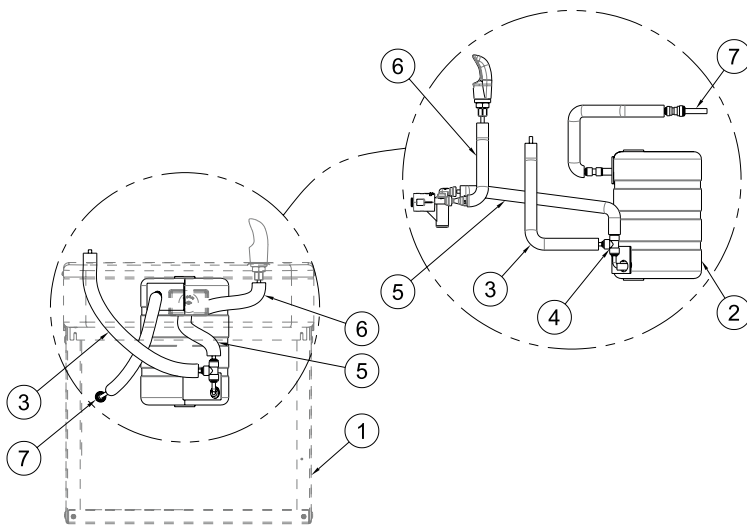
1. Bottle Filler Housing
2. Mounting Panel
3. Security Screws

4. Disconnect the water supply insulation and tubing from 1/4" shut-off valve that is located on the mounting panel.



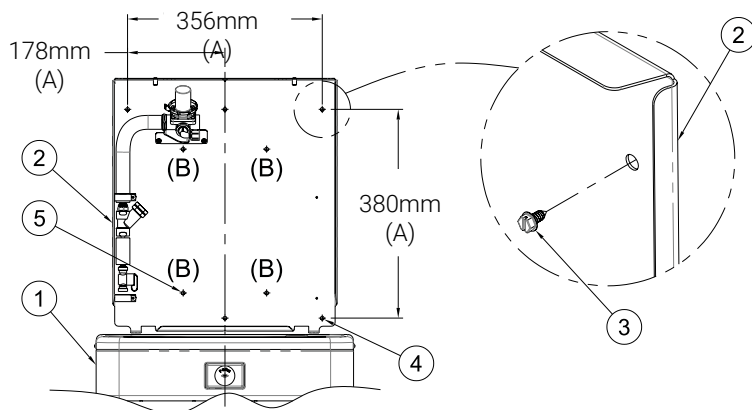
1. Mounting Panel
2. Shut-Off Valve
3. 1/4" OD Tubing & Insulation

5. Connect the bottle filler supply tubing to the 1/4" push-in tee located on the evaporator. The evaporator is located within the water cooler assembly. If fixture differs from layout, refer to figure on Page 12 for specific unit connections.



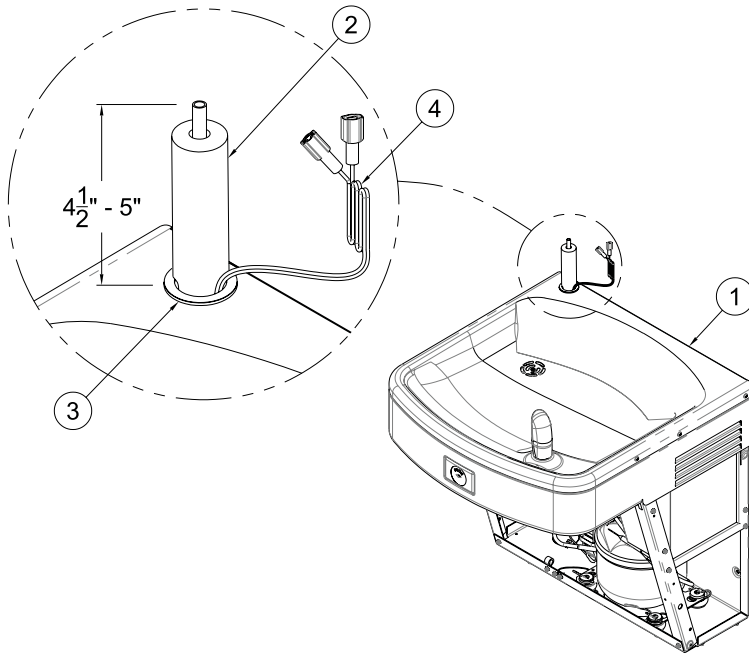
1. Water Cooler Assembly
2. Evaporator
3. 1/4" OD Tubing & Insulation (Bottle Filler Supply Tube)
4. 1/4" Push-In Tee
5. Water Supply Tubing (To Push Button Valve Inlet)
6. Water Supply Tubing (To Bubbler)
7. Supply Inlet

6. Centre mounting panel on top of deck to finished wall and secure with anchoring hardware (supplied by others) for  $\varnothing 1/4"$  mounting holes.



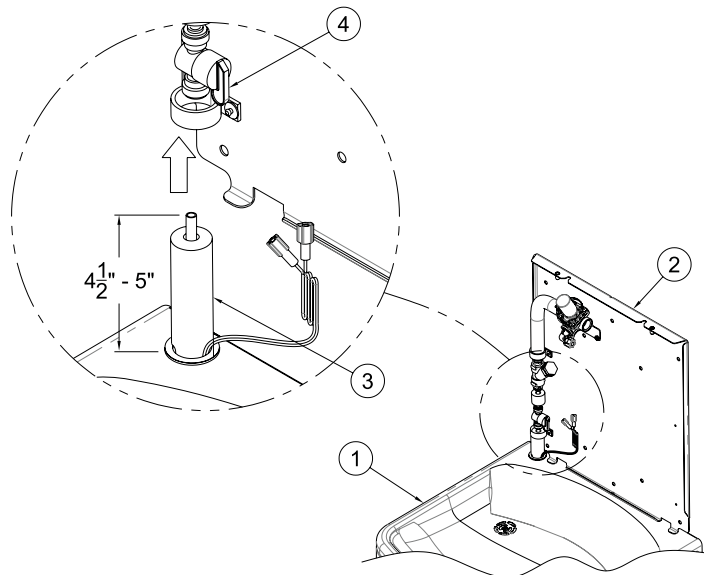
1. Water Cooler Assembly
2. Mounting Plate
3. Anchoring Hardware, by others
4. 6x  $\varnothing 1/4"$  Mounting Holes (A)
5.  $\varnothing 6.5\text{mm}$  Mounting Holes (B)

7. Push tubing with insulation and power wires up through hole in basin. Install grommet.



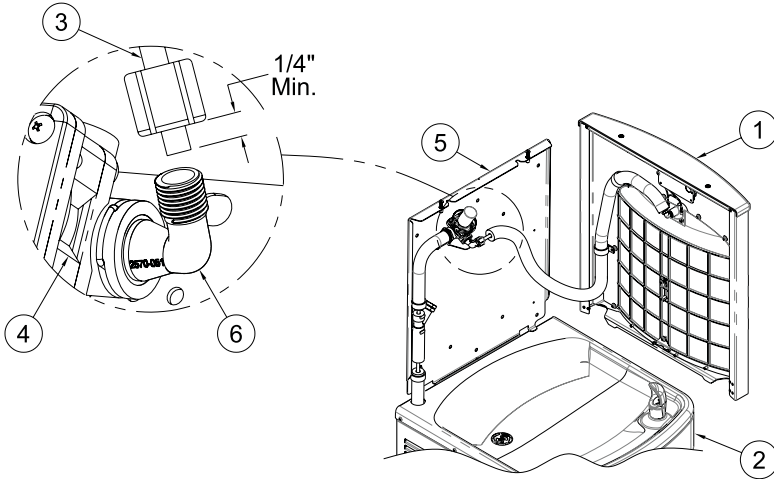
- 1. Water Cooler Deck
- 2. 1/4" OD Tubing & Insulation
- 3. Grommet
- 4. Power to Bottle Filler

8. Connect water supply tube to the 1/4" shut-off valve that is located on the mounting panel. Refer to figure on Page 14 for proper connection.



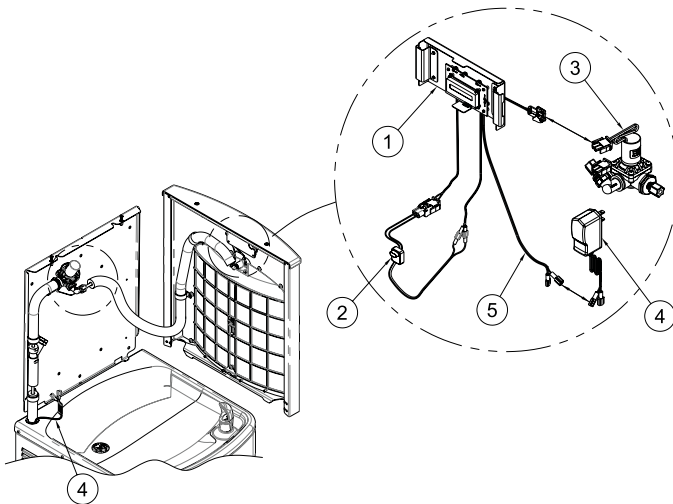
- 1. Water Cooler Deck
- 2. Mounting Plate
- 3. 1/4" OD Tubing & Insulation
- 4. Shut-Off Valve

9. With mounting panel secured, place bottle filler housing on top of the water cooler and connect water supply line from bottle filler to solenoid valve outlet.



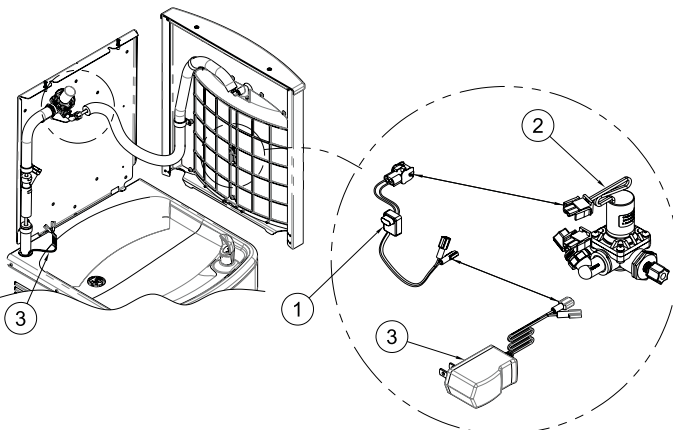
- 1. Bottle Filler Housing
- 2. Water Cooler Assembly
- 3. 1/4" O.D. Polyethylene Supply Line
- 4. Solenoid Valve
- 5. Mounting Panel
- 6. Valve Water Supply Outlet Elbow

10. Connect electrical wiring as shown in diagram.



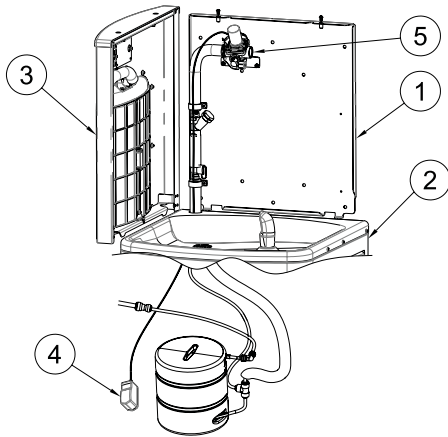
- 1. BCD Bottle Count Display
- 2. Sensor
- 3. Solenoid Valve
- 4. Power Supply
- 5. Black Wire - BCD

11. Connect electrical wiring as shown in diagram.



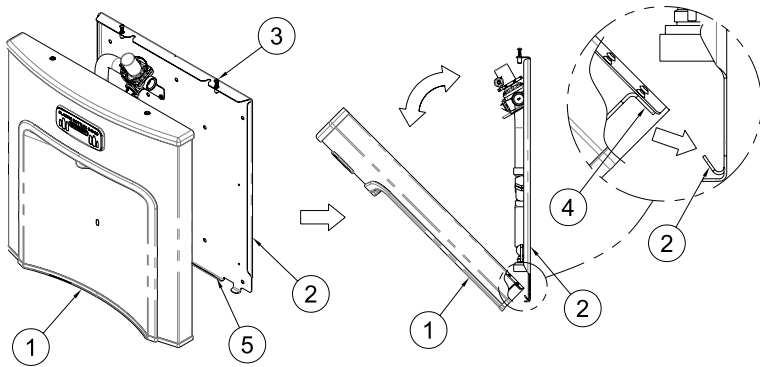
- 1. Sensor
- 3. Solenoid Valve
- 4. Power Supply

12. Connect power supply, turn on water and check for leaks throughout the system.



- 1. Mounting Panel
- 2. Water Cooler Assembly
- 3. Bottle Filler Housing
- 4. Power Supply
- 5. Solenoid Valve

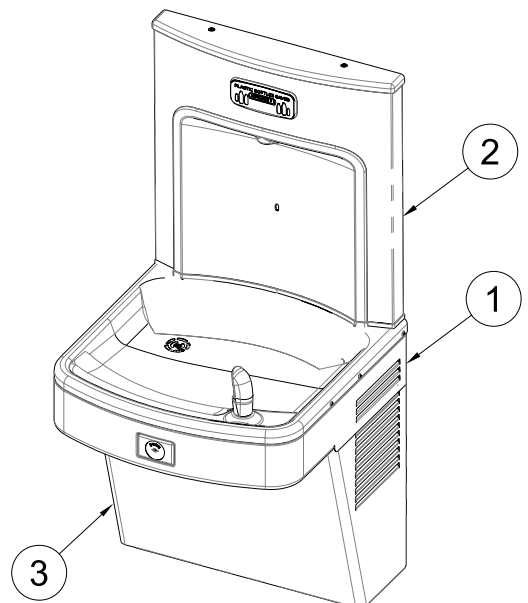
13. With fixture tested, install housing to mounting panel. Angle housing and engage housing bottom flange to mounting panel flange and close unit. Secure with screws from Step 3.



- 1. Bottle Filler Housing
- 2. Mounting Panel
- 3. Security Screws
- 4. Housing Bottom Flange
- 5. Mounting Panel Flange

14. Mount water cooler access panel to water cooler.

- 1. Water Cooler
- 2. Bottle Filler
- 3. Access Panel





## **Electrical Installation**

**Note:** Plug-in power is a standard feature.

1. Plug-in operation: plug transformer provided into ELCB (RCD) protected electrical service, used by the bottle filler.
2. Connect the power supply wires to either the sensor or -BCD bottle counter display (if equipped).

## **Start Up**

Air within the bottle filler system or the structure supply piping will cause an irregular spout outlet stream until purged out by incoming water. Hold cup (or similar object) directly below filler spout is recommended when first activating bottle filler to prevent excessive splashing. Activate sensor until steady water stream is achieved.

## **Operating Instruction**

Position container to be filled directly in front of the sensor and centred under the filler spout. Water flow starts automatically. When the container is almost filled, remove container. The water will stop flowing.

## Bottle Counter Adjusting & Resetting Instructions

**Note:** Bottle counter has multiple functions

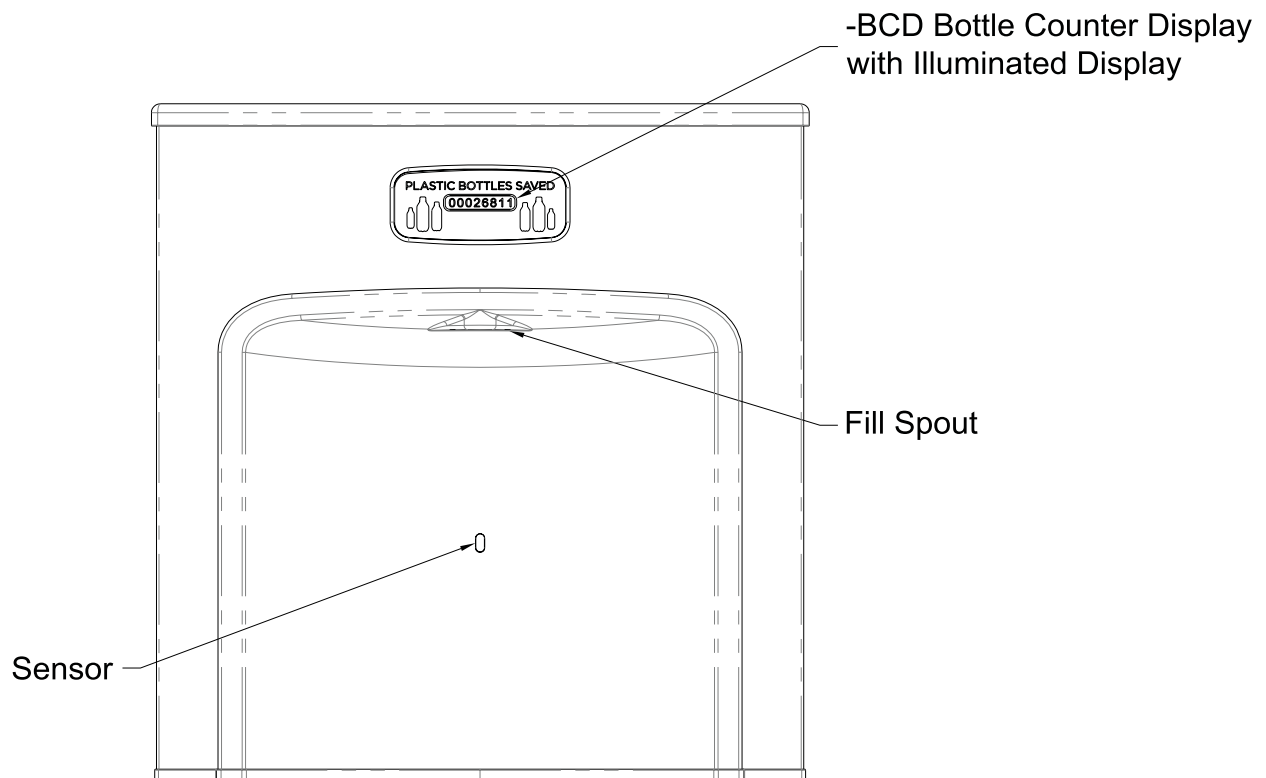
- Reset/mode button
- Counts refilled bottles
- Adjustable for units with and without filters
- "Replacement filter" alert function
- Alert reset, when filter is replaced

## Description

Illuminated LCD display counts bottles and has a filter replacement alert function.

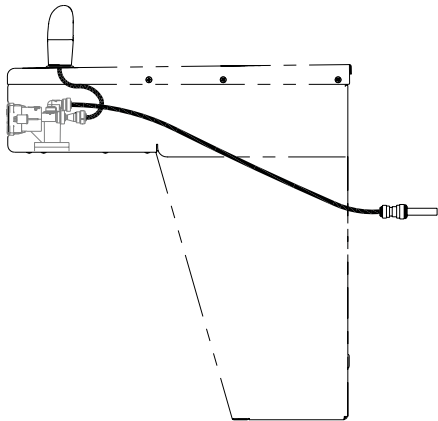
## Bottle Counting Function

The software applies a flow volume of approximately 500ml to each bottle counted. If the flow volume is less than 500ml, there will be no count but the volume will accumulate, so that part way through the next cycle the total bottle count will change.

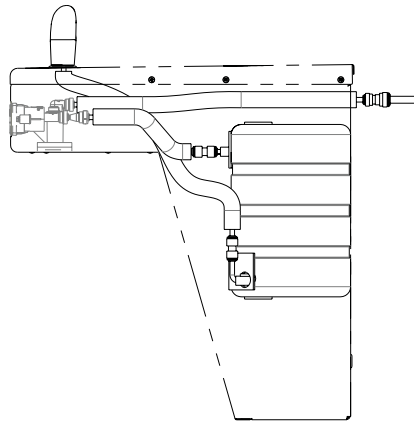


## Bottle Counter Adjusting & Resetting Instructions

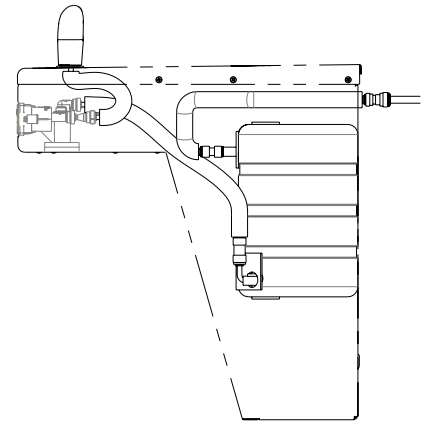
Install tubing as shown on Page 14 to add bottle filler to fixture.



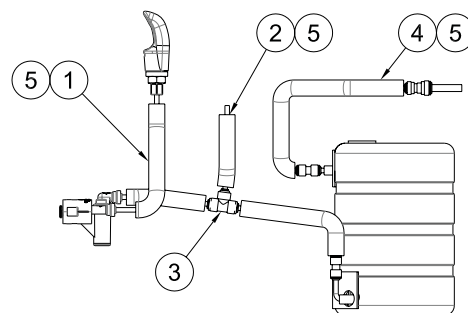
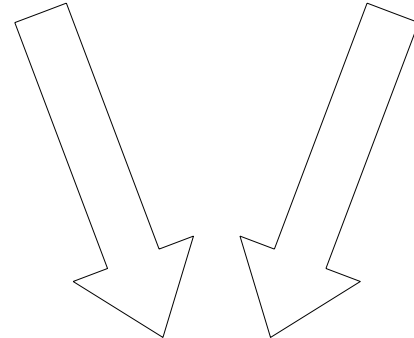
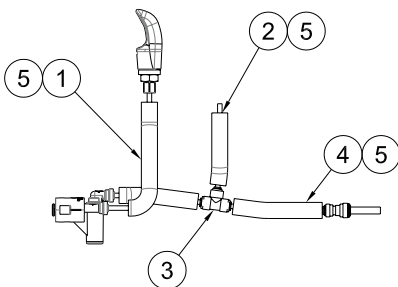
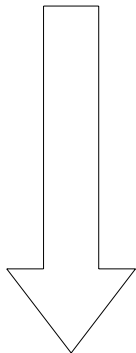
Non-Refrigerated Unit  
(Drinking Fountain)



Non-Pressurized Unit  
(Water Cooler)



Pressurized Unit  
(Water Cooler)



Pressurized with Bottle Filler

- ① Water Supply Line, to Bubbler
- ② Water Supply Line, to Bottle Filler
- ③ 1/4" O.D. Push-In Tee
- ④ Water Supply Line, Inlet
- ⑤ Foam Insulation



## Filter Replacement Functions

Install tubing as shown below in Page 14 to add bottle filler to fixture

**Note:** when the volume accumulates to filter capacity, the "replace filter soon" alert will appear on the display every time the bottle filler is activated.

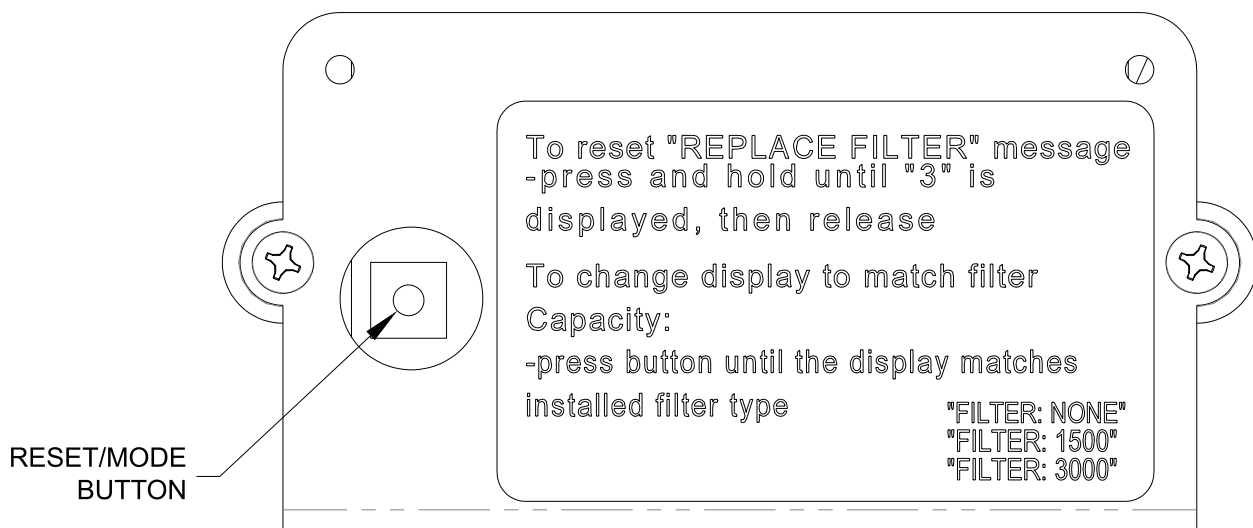
## Counter Modes

Located on the back of the display you will find the reset/mode button for the mode settings. The reset/mode selection button is accessible by removing the housing, then locate the large hole in the back of the display mounting bracket. Use your finger or nonconductive object to depress the reset/mode selection button. Caution: do not use sharp or metal objects. With this reset/mode button, you are able to indicate whether or not the unit has a filter or does not have a filter. The reset/mode button is used to remove the "replace filter" alert after the filter has been replaced.

## Systems with or without Filter

- To reset "replace filter" message:
  - Press and hold button until "3" is displayed, then release.
- To change display to match filter capacity:
  - Press and hold button until the display matches installed filter type, then release.

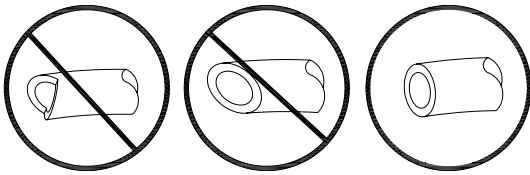
"Filter none" "filter 1500" "filter 3000"



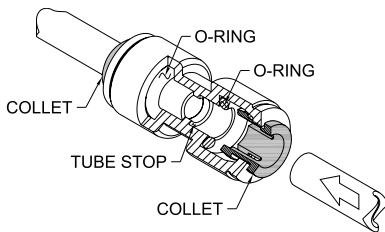
## Push Button Installation

Note: Fittings and tube should be kept clean, bagged and undamaged prior to installation.

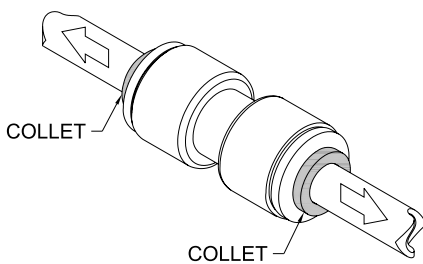
1. Cut to fit length of 1/4" PE tubing and remove any burrs or sharp edges. Ensure that the outside diameter is free from score marks. Tube ends should be square.



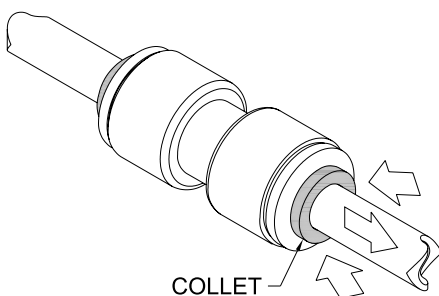
2. Firmly and fully insert the tubing end into the push-in fitting up to the tube stop located approximately 1/2" (13mm) deep.



3. Pull on the fitted tubing to ensure it is secure. Tube should not come free from the fitting. Water test the connection assembly prior to leaving the site to ensure there are no leaks.



4. Prior to disconnecting the tube from the fitting, ensure that the water line is depressurised. Push collet square towards the push-in fitting body and hold. While holding the collet in, pull on the PE tubing to remove from the push-in fitting.





## Cleaning & Maintenance

1. Motors have lifetime lubrication and do not require scheduled maintenance.
2. Excess dirt or poor ventilation will cause the compressor overload protector to turn the compressor off and it will cycle on and off with no cold water coming out of bubbler. Periodically clean with vacuum cleaner, air hose or brush the condenser fins and cabinet ventilation louvers. In environments where dirt and dust is more prevalent, clean more frequently.
3. Periodically remove access panels and clean out in-line strainer.
4. Do NOT use harsh chemicals, abrasive or petroleum based cleaners. Use of these will void warranty.
5. Exterior panels can be cleaned using mild household detergents or warm, soapy water. Extra care must be used cleaning chrome plated items and mirror finished stainless steel. They can scratch easily and should only be cleaned using a clean, soft cloth and mild soap with water or a mild glass cleaner
6. To remove water spots or rust spots, stainless steel cleaner/polish on a cloth is recommended.
7. If there are stubborn spots or if you wish to treat a scratch, synthetic abrasive general purpose pads such as Scotch-Brite® is recommended.
8. Apply stainless steel cleaner/polish to the synthetic abrasive pads and carefully rub the panel with the grain.
9. Do NOT use harsh chemicals, abrasive or petroleum based cleaners. Use of these will void Bubblers Australia warranty. Do not use abrasives on powder coated units.
10. Stainless steel should be kept clean at all times. If a coating of stainless steel cleaner/ polish is maintained, stainless steel surfaces will retain their new, clean, polished appearance indefinitely. Use clean mild soapy water for powder coated units.
11. Periodically remove panels and clean out inline "Y" strainer.



## Troubleshooting

Before making any of the repairs listed, make sure the water cooler is disconnected from the electrical supply and the water supply valve is shut off.

<b>Problem</b>	<b>Probable cause</b>
<b>Compressor does not run</b>	Check the power supply cord.
	Check the electrical receptacle for power and correct voltage. The incoming voltage must be within 10% of the rated voltage on the serial nameplate.
	The cold thermostat is accessible by removing the bottom access cover. If the cold thermostat capillary bulb loses its charge or becomes kinked it will fail in the open position causing a disruption of power to the compressor. Unplug the water cooler, using an ohm meter, check for continuity across the two electrical terminals on the thermostat. Install a new thermostat if there is no continuity.
	Check for loose wires within the compressor box. The incoming power leads must be connected to the overload and relay. If all components check positive for continuity, then test the wiring harness plug for continuity.
<b>Compressor runs - water is warm</b>	The most common cause for a water cooler to run without producing cold water is a loss of refrigerant. The water cooler must be taken to a certified refrigerant technician for repairs.
	Make sure the condenser fan motor is operative. The fan blade must turn freely to help remove the heat of compression.
	An incorrect refrigerant charge, restriction or defective compressor (not pumping) will also cause the compressor to run without producing cold water. All these signs indicate a problem within the refrigeration system and the water cooler must be checked by an authorized service company.
<b>Noisy operation</b>	Check to make sure the fan blade is rotating freely
	Make sure the water cooler is correctly mounted to the wall. Absence of the two lower mounting bolts may cause excess noise and vibration.
	Check the compressor mounting to make sure the pins and clips are not rattling. If the compressor appears to be noisy internally, it must be replaced.

Troubleshooting continued....



<b>Restricted or no water flow</b>	Ensure water supply service stop valve is fully open.
	Verify minimum 200 kPa supply line flow pressure for AA171408-series
	Verify minimum 140kPa supply line flow pressure for ABF-series
	Check for twists or kinks in bubbler tubing.
	Check the water inlet strainer. Sediment from the main supply can get trapped in the screen along with installation materials such as pipe dope and flux. The screen should be cleaned and checked on a regular basis and replaced if needed.
	The cartridge valve located in the water control assembly or bubbler can also become clogged with foreign material. The cartridge valve can only be replaced and not repaired.
	The water cooler may also develop a freezing condition in which the water will become frozen inside the evaporator coil. This indicates a refrigeration problem or thermostat failure in which case the water cooler needs to be checked by a qualified technician.
	Check flow adjustment. If necessary, adjust bubbler to site requirements.
	The water cooler may also develop a freezing condition in which the water will become frozen inside the evaporator coil. This indicates a refrigeration problem or thermostat failure in which case the water cooler needs to be checked by a qualified technician.
	No power to Transformer connections loose or wires cut.
<b>Compressor cycling on overload protector</b>	A dirty condenser or a blocked fan will cause a high head pressure and frequent cycling of the overload protector.
	Check the incoming voltage to make sure it is within 10% of the serial nameplate rating.
	A restriction or moisture in the system will also cause intermittent cycling. A certified refrigeration mechanic should be contacted in this situation.
	Change the overload or relay if defective.
<b>If light within sensor does not flash once when user is within range</b>	Verify 240V AC input & 9VDC output of transformer.
	Replace defective transformer.
	Sensor in "Security Mode" after 20 seconds of constant detection. Remove source of detection and wait 30 seconds before checking.
	Sensor is picking up a highly reflective surface. Eliminate cause of reflection and wait 30 seconds before checking.
	Replace defective sensor.
<b>If light within sensor lens flashes once when the user is within range</b>	Repair bad connection from sensor to solenoid.
	There is debris or scale in the solenoid assembly. Remove solenoid, pull out plunger and spring. Clean with scale remover solution.
	There is debris or scale in centre or two holes in convolution of the water diaphragm. Remove and clean.



**Note:** This product should be installed, by suitably qualified persons, in a fit for purpose application, to suitable materials, using suitable fixings and comply with any relevant codes. It should be inspected periodically for signs of wear and tear that may affect performance or safety.

Dimensions are subject to manufacturer's tolerance of +/-10mm. Rough-in should be completed with each fixture. Important: Installation Instructions are subject to change without notice. Please visit our websites for latest revision.