



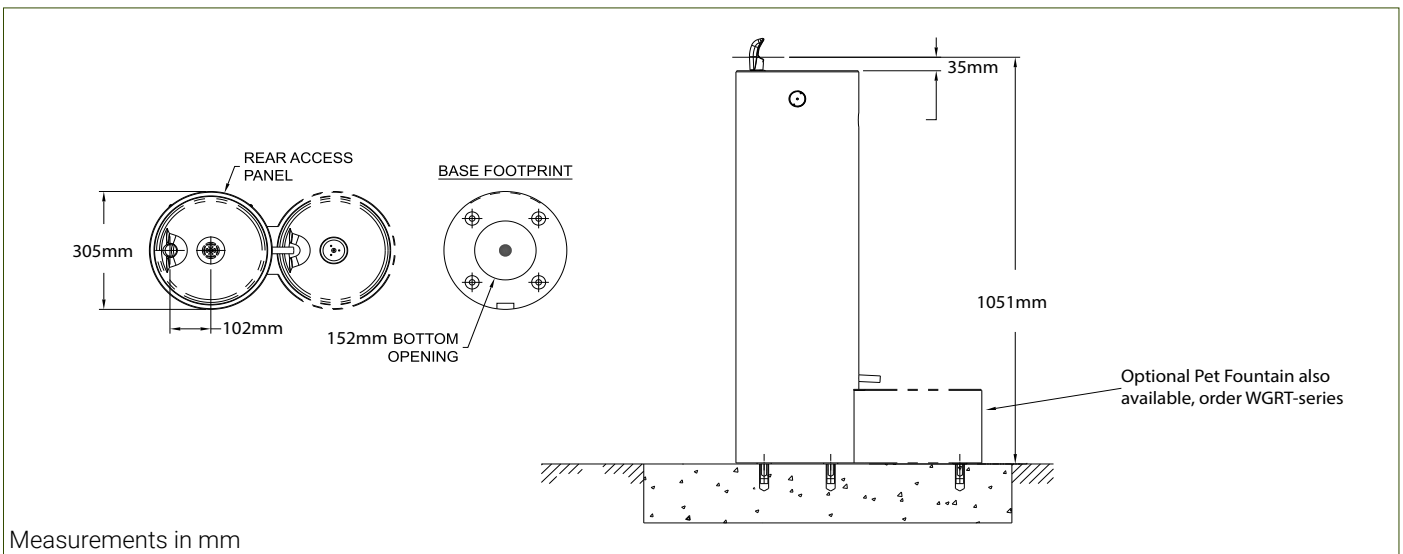
WGRF35

Outdoor Drinking Fountain | Single

Specification

Manufactured from stainless steel including a stainless shielded bubbler with self-closing push button and non-squirt features. Valve includes flow adjuster and strainer. Integral perforated drain for hygiene & ease of cleaning. Smooth radiused design eliminates sharp corners. Fully concealed pipework and fixings. Unit is nonrefrigerated.

Inlet Connection:	G½B
Outlet Connection:	40mm BSP waste
Water Pressure:	200 – 500 kPa
Force to Activate:	≤ 22N
Basin:	1.2mm, type 304 Stainless Steel
Housing:	2.5mm, type 304 Stainless Steel
Finish:	Enviro-Glaze® Fairway Green



Resources

[Installation Guide](#) - [Warranty & Cleaning Guide](#) - [CAD Drawing](#)

As improvements in the design and performance of Bubblers Australia products are continuous, specifications may be subject to change without notice. The illustrations and descriptions herein are applicable to production as of the date of this Technical Data Sheet. Revised 08/23 © 2023 by Bubblers Australia TD/ModelWGRF35/0823