



Installation Instructions

OBFM-series

Push Button Outdoor Bottle Filler

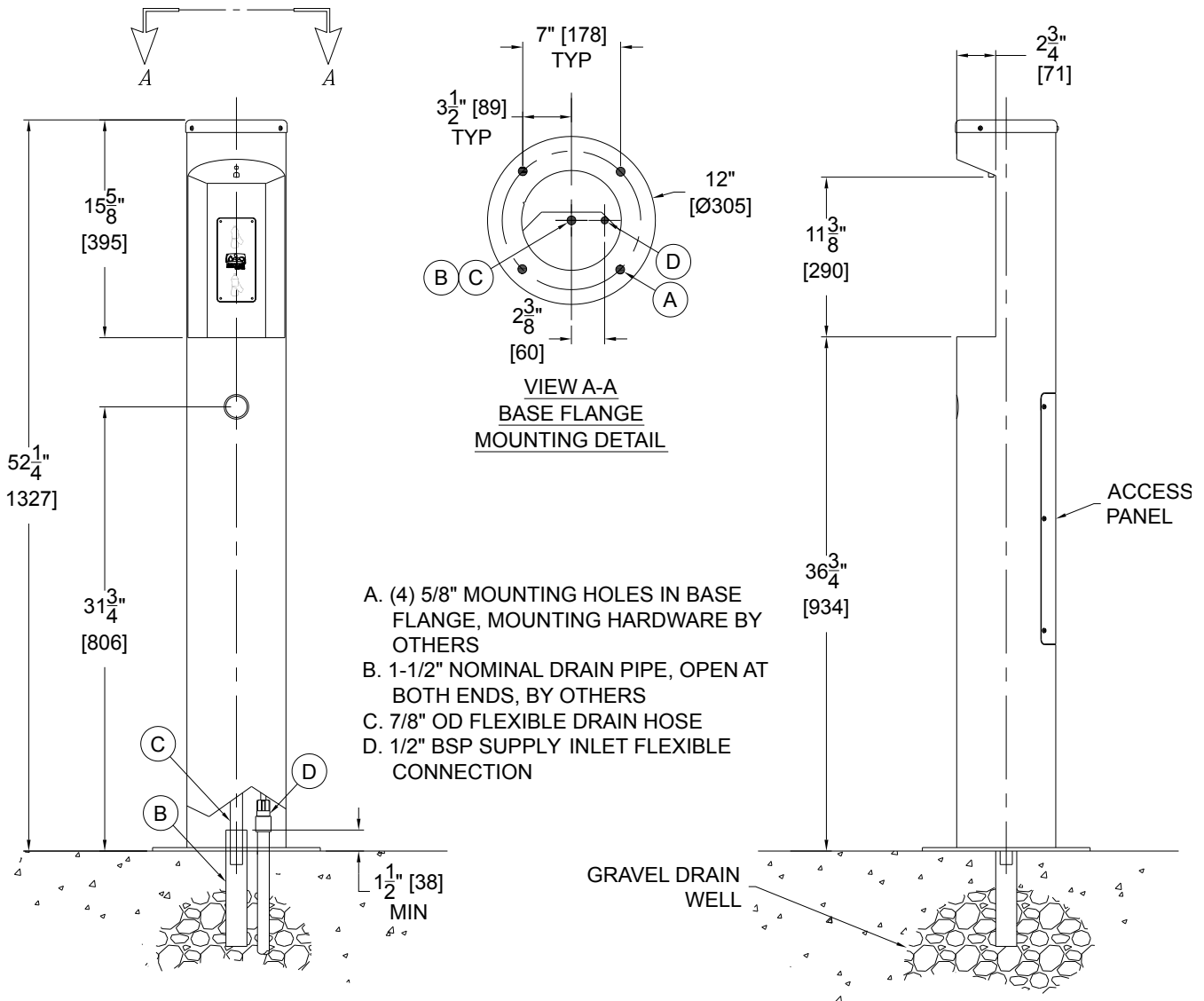


Downloads of resources

Warranty & Cleaning Guide - Product Datasheet - CAD Drawings

As improvements in the design and performance of Bubblers Australia products are continuous, specifications may be subject to change without notice. The illustrations and descriptions herein are applicable to production as of the date of this Installation Instructions Sheet.
Revised 09/23 © 2023 by Bubblers Australia II/OBFM-Series

Rough-in and Dimensions





Pre-Installation

1. Read all installation instructions carefully, before proceeding.
2. Carefully remove fixture from packaging, preventing scratching or damage.
3. Provide mounting surface, sufficient to support the fixture and loads on the fixture.
4. Provide rough-ins as shown on the roughing-in and dimensional drawing, including water supply, drain pipe and gravel drain well. See above for rough-in details.
5. Completely flush water supply lines of all foreign debris, before connecting to the fixture.

Installation

6. Locate the unit over rough-ins on the Mounting Pad, mark mounting holes in base flange.
7. Tilt the unit down on its side, next to the mounting location. Install m12/ 1/2" Bolts (supplied by others)
8. Feed the 7/8" OD Flexible Drain Tube into the open ended Drain Tube. 1/2" male BSP Fitting to a potable water supply. Then tilt the unit into place, making sure that the Tubing is not pinched or kinked. Secure the Base Flange to the Mounting Pad with provided hardware.
9. Install 6x AA alkaline batteries into battery pack (by others, sensor operated model only)
10. Test for leaks and proper operation, and then install the Access Panel.

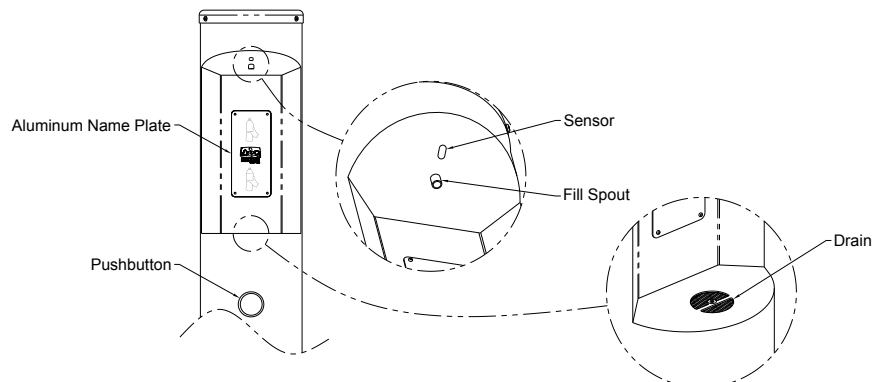
Start up

Air within the Bottle Filler System or the structure supply piping will cause an irregular spout outlet stream until purged out by incoming water. Press and hold Push button until steady water stream is achieved.

Operation Instructions

Hand operation: Hold container to be filled just below the Filler Tube in the center of the unit, then push Push button. When the container is almost filled, release the Push button.

Sensor Operation: Hold container to be filled just below the Sensor in the center of the Filler Spout and then move the container upward and water flow will start automatically. When the container is almost filled, lower the container below the Sensor until the water stops flowing (see label on the Bottle Filler).

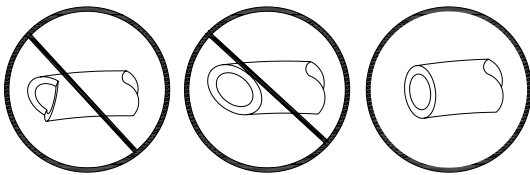


Push button Installation

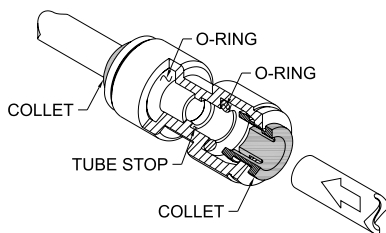
Note: fittings and tube should be kept clean, bagged and undamaged prior to installation.

Figure 2

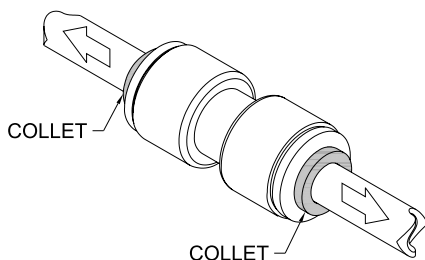
1. Cut to fit length of 1/4" PE Tubing and remove any burrs or sharp edges. Ensure that the outside diameter is free from score marks. Tube ends should be square.



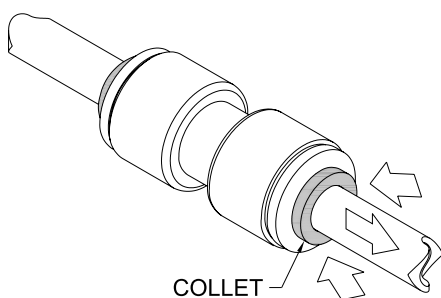
2. Firmly and fully insert the Tubing end into the Push-In Fitting up to the Tube Stop located approximately 1/2" [13mm] deep.



3. Pull on the fitted Tubing to ensure it is secure. Tube should not come free from the Fitting. Water test the connection assembly prior to leaving the site to ensure there are no leaks.



4. Prior to disconnecting the Tube from the Fitting, ensure that the Water Line is depressurised. Push Collet Square towards the Push-In Fitting Body and hold. While holding the Collet in, pull on the PE Tubing to remove from the Push-In Fitting.





Troubleshooting

Before making any of the repairs listed, make sure the water cooler is disconnected from the electrical supply and the water supply valve is shut off.

Problem	Probable cause
Restricted or No Water Flow	Ensure water supply service stop valve is fully open.
	Verify minimum 200kPa supply line flow pressure
	Check for twist or kinks in spout tubing.
	Check the water inlet y-strainer. Sediment from the main supply can get trapped in the screen along with installation materials such as pipe dope and flux. The screen should be cleaned and checked on a regular basis and replaced if needed.
	Flow control in solenoid valve outlet elbow clogged remove & clean.
If light within sensor does not flash once when user is within range	Verify 9V DC output of battery pack.
	Replace defective batteries.
	Sensor in "Security Mode" after 30 seconds of constant detection. Remove source of detection and wait 30 seconds before checking.
	Sensor is picking up a highly reflective surface. Eliminate cause of reflection and wait 30 seconds before checking.
If light within sensor lens flashes once when the user is within range	Repair bad connection from sensor to solenoid.
	There is debris or scale in the solenoid assembly. Remove solenoid, pull out plunger and spring. Clean with scale remover solution.
	There is debris or scale in center or two holes in convolution of the water diaphragm. Remove and clean.



Note: This product should be installed, by suitably qualified persons, in a fit for purpose application, to suitable materials, using suitable fixings and comply with any relevant codes. It should be inspected periodically for signs of wear and tear that may affect performance or safety.

Dimensions are subject to manufacturer's tolerance of +/-10mm. Rough-in should be completed with each fixture. Important: Installation Instructions are subject to change without notice. Please visit our websites for latest revision.