

## ABF12-IPL

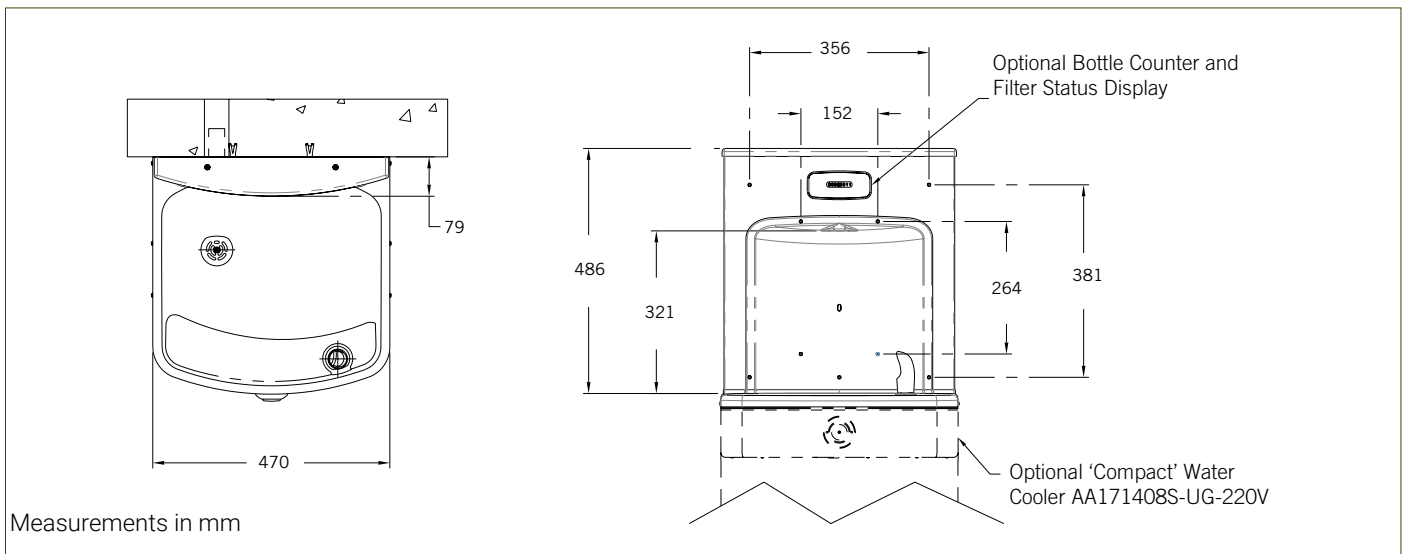
### H2O-to-Go!™ Bottle Filler Add-On, Sensor



#### Specification

Manufactured from #304 stainless steel with all exposed surfaces in satin finish and antibacterial impact resistant ABS surfaces. Sensor operated valve with strainer to ensure touch-free operation. Suitable for all Bubblers wall mounted water coolers.

<b>Inlet Connection:</b>	1/4" Push Fit Connection
<b>Water Pressure:</b>	200 – 500 kPa
<b>Water Capacity:</b>	30L/hr drinking water at 10°C [incoming 27°C, ambient 32°C]
<b>Flow Rate:</b>	3.8 LPM
<b>Actuation Type:</b>	Sensor



#### Resources

[Installation Guide](#) - [Warranty & Cleaning Guide](#) - [CAD Drawing](#)

As improvements in the design and performance of Bubblers Australia products are continuous, specifications may be subject to change without notice. The illustrations and descriptions herein are applicable to production as of the date of this Technical Data Sheet. Revised 08/23 © 2023 by Bubblers Australia TD/ModelABF12-IPL/0823