



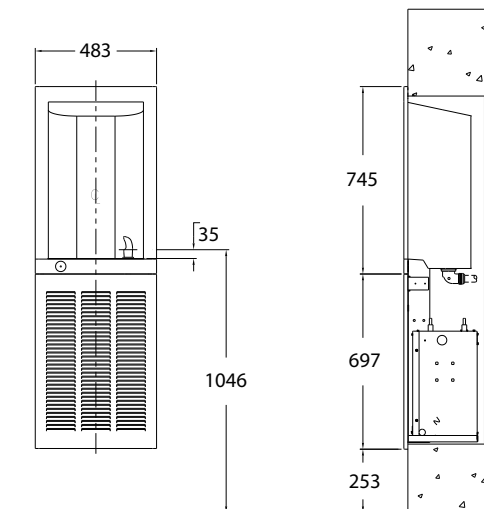
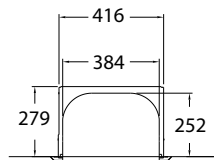
## AA481408F-220V

### Recessed Water Cooler

#### Specification

Basin manufactured from stainless steel with all exposed surfaces in satin finish. Anti-microbial flexible bubbler with self-closing push button and non-squirt features. Stainless steel bubbler options available on request. Valve includes flow adjuster and strainer. Integral perforated drain for hygiene & ease of cleaning. Smooth radiused design eliminates sharp corners. Fully concealed pipework and fixings.

<b>Inlet Connection:</b>	G $\frac{1}{2}$ B
<b>Outlet Connection:</b>	40mm BSP Waste
<b>Water Pressure:</b>	200 – 500 kPa
<b>Basin &amp; Housing:</b>	1.2mm, Type 304 Stainless Steel
<b>Force To Activate:</b>	$\leq$ 22N
<b>Refrigerant:</b>	R-134a
<b>Power Requirement:</b>	220 VAC, 50Hz, Single Phase
<b>Capacity:</b>	30L/Hr Drinking Water At 10°C (Incoming 27°C, Ambient 32°C)



Measurements in mm

#### Resources

[Installation Guide](#) - [Warranty & Cleaning Guide](#) - [CAD Drawing](#)

As improvements in the design and performance of Bubblers Australia products are continuous, specifications may be subject to change without notice. The illustrations and descriptions herein are applicable to production as of the date of this Technical Data Sheet. Revised 08/23 © 2023 by Bubblers Australia TD/ModelAA481408F-220V/0823