

AA461400P

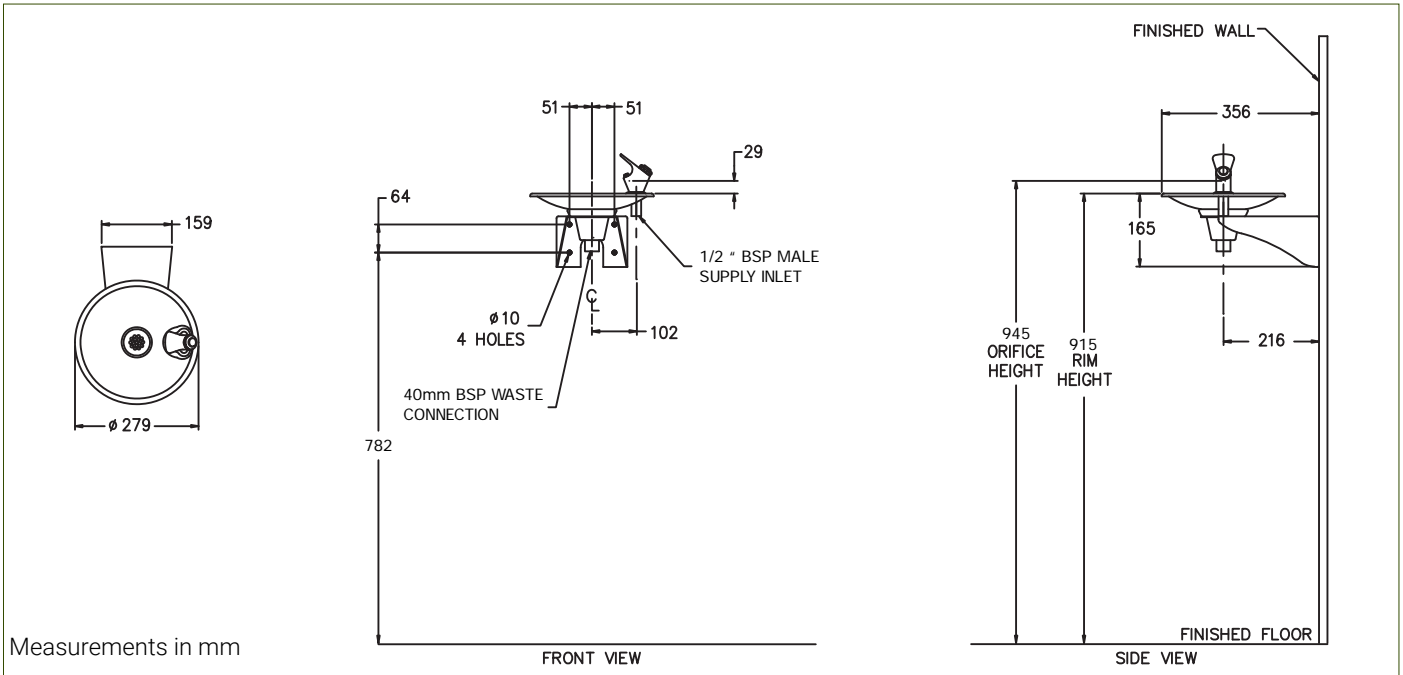
Classic Drinking Fountain

Specification

Manufactured from stainless steel with all exposed surfaces in satin finish. Stainless steel, shielded bubbler with self-closing push button. Valve includes flow adjuster and strainer. Perforated drain for hygiene & ease of cleaning. Exposed pipework where security/aesthetics is not critical. Unit is non-refrigerated.



Inlet Connection:	G $\frac{1}{2}$ B
Outlet Connection:	40mm BSP Waste
Water Pressure:	200 – 500 kPa
Water Temperature:	4 - 30°C
Basin and Housing:	1.6mm, Type 304 Stainless Steel



Resources

[Installation Guide](#) - [Warranty & Cleaning Guide](#) - [CAD Drawing](#)

As improvements in the design and performance of Bubblers Australia products are continuous, specifications may be subject to change without notice. The illustrations and descriptions herein are applicable to production as of the date of this Technical Data Sheet. Revised 08/23 © 2023 by Bubblers Australia TD/ModelAA461400P/0823