



Installation Instructions

A8904 Wall Mounted Drinking Fountain



Downloads of resources

Warranty & Cleaning Guide - Product Datasheet - CAD Drawings

As improvements in the design and performance of Bubblers Australia products are continuous, specifications may be subject to change without notice. The illustrations and descriptions herein are applicable to production as of the date of this Installation Instructions Sheet.
Revised 08/23 © 2023 by Bubblers AUstralia II/A8904



Components

- Stainless Steel Drinking Fountains
- Bubbler & Button Assembly
- Trap by others
- Fixings by others

Hydraulic Requirements

Pressure:	Min: 200kPa Max: 500kPa
Inlet:	1/2" BSP
Outlet:	40mm BSP
Water Temp:	4°- 30°C

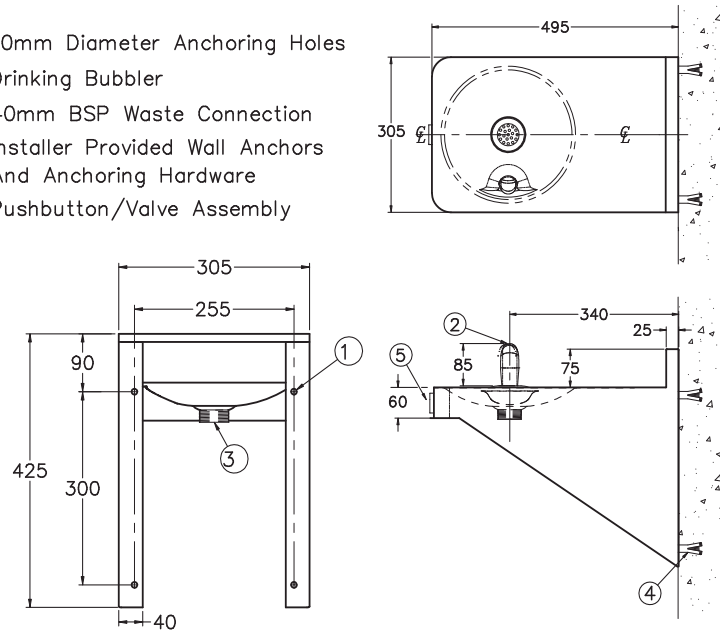
Installation should be in accordance with AS/NZS 3500.1 & AS/NZS 3500.2, local authority and statutory requirements, and as per these installation instructions. The drinking fountain is "wall mounted" and should preferably be fixed to a masonry wall with suitable wall anchors provided by others.

Installation

1. Check rough-in drawing for mounting location and details. Rim is typically mounted 695-700mm off FFL for AS1428.2 compliance.
2. Place the unit in the required position and mark up fixing locations.
3. Rough-in water supply. Stop recommended on supply (by others).
4. Rough-in waste outlet at dimensions shown.
5. Fix S-Clip, then place and fix unit to wall using appropriate anchors and bolts (by others).
6. Make-up waste connection to the waste piping (trap by others).
7. Flush water supply (by others) of all debris prior to connection to fixture.
8. Connect water supply (by others) to 1/2" BSP inlet.
9. Turn on water and test for leaks.

Note: Bubbler will not tolerate dirt or grit and may not shut off if line is contaminated.

- ① 10mm Diameter Anchoring Holes
- ② Drinking Bubbler
- ③ 40mm BSP Waste Connection
- ④ Installer Provided Wall Anchors And Anchoring Hardware
- ⑤ Pushbutton/Valve Assembly



Troubleshooting

Before making any of the repairs listed, please ensure the water supply valve is shut off.

Problem	Probable cause	Solution
No flow or low volume	Water turned off.	Turn on.
	Inlet strainer blocked.	Remove and clean.
Water flows continuously	Cartridge blocked with dirt or cartridge damaged.	Remove and clean.
		Replace the cartridge.
Leak under knob	Loose screws or cartridge damaged.	Tighten brass screw under white flow adjustment screw.
		Replace the cartridge.
Short or long flow stream	Low or high pressure.	Rectify supply pressure as per hydraulic requirements.
	Cartridge adjustment required.	Remove button, adjust white screw in cartridge clockwise to reduce, or counter clockwise to increase.



Note: This product should be installed, by suitably qualified persons, in a fit for purpose application, to suitable materials, using suitable fixings and comply with any relevant codes. It should be inspected periodically for signs of wear and tear that may affect performance or safety.

Dimensions are subject to manufacturer's tolerance of +/-10mm. Rough-in should be completed with each fixture. Important: Installation Instructions are subject to change without notice. Please visit our websites for latest revision.